

## Roller Brake Testers

### CBT7500

**The CBT7500 is a MoT approved brake tester for Class III, IV & VII Vehicles.**

**Standard features include**

- Prompted or manual operation for approved MOT test procedure.
- Bi-directional motors allow 4WD vehicles to be tested as standard
- Infra-red remote control for one -man operation
- Secondary hardwired handset
- Wall or pedestal mounted display
- Large co-axial twin pointer display
- Digital display of imbalance, ovality, and weight
- Optional pedal pressure sensor measures pedal force
- Calculated brake efficiency results can be printed (printer optional)



### CBT6500

**The CBT6500 is a MoT approved brake tester for Class III & IV Vehicles.**

**Standard features include**

- Prompted or manual operation for approved MOT test procedure.
- Bi-directional motors allow 4WD vehicles to be tested as standard
- Infra-red remote control for one-man operation
- Secondary hardwired handset
- Wall or pedestal mounted display
- Large co-axial twin pointer display
- Digital display of imbalance, ovality, and weight
- Optional pedal pressure sensor measures pedal force
- Calculated brake efficiency results can be printed (printer optional)

## CBT6500

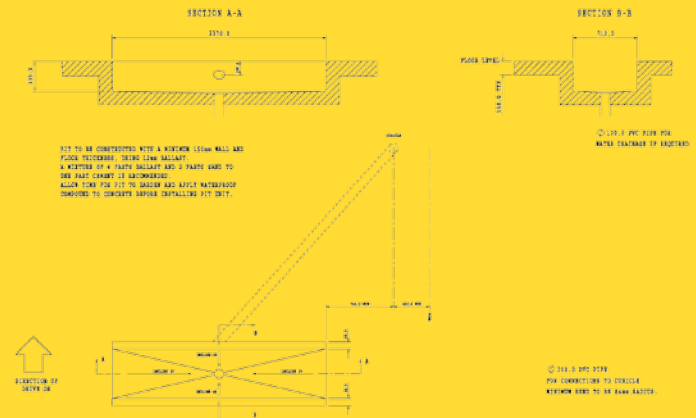
MoT Approval	Class III & IV
Maximum axle load	4,000kg
Maximum brake force	600kgf
Roller surface speed	3.8kph
Roller Diameter	204mm
Roller length	700mm
Distance between roller centers	390mm
Minimum wheel diameter	450mm
Maximum wheel diameter	1,100mm

### Pit dimensions

Width	2,370mm
Depth	710mm
Height	335mm

### Electrical Supply

415V 3-Phase, Neutral 12KVA



## CBT7500

MoT Approval	Class III & IV
Maximum axle load	15,000kg
Maximum brake force	1,250kgf
Roller surface speed	2.7kph
Roller Diameter	204mm
Roller length	1000mm
Distance between roller centers	425mm
Minimum wheel diameter	440mm
Maximum wheel diameter	1,500mm

### Pit dimensions

Width	3,900mm
Depth	795mm
Height	380mm

### Electrical Supply

415V 3-Phase, Neutral 12KVA

