

Roller Brake Testers

CVBT7600



CR2124
07-09-05

The CVBT7600 brake tester is for vehicles up to 15 Tonnes axle weight.

Standard features include

- Prompted or manual operation for approved MOT test procedure.
- Bi - directional motors allow 4WD vehicles to be tested as standard
- Infra - red remote control for one -man operation
- Secondary hardwired handset
- Wall or pedestal mounted display
- Large co - axial twin pointer display
- Digital display of imbalance, ovality, and weight
- Optional pedal pressure sensor measures pedal force
- Calculated brake efficiency results can be printed (printer optional)



The Company reserves the right to introduce improvements in design or specification without prior notice



Technical Information



Maximum axle load	15000Kg
Maximum brake force	3000kgf
Maximum pedal force	1000N
Maximum brake pressure	10 bar
Test speed	2.2 km/h
Roller dimensions	204 x 1000mm
Distance of rollers	422-445mm
Roller elevation	0mm
Measuring system	Strain gauge transducers
Minimum/maximum wheel dimensions	440/1500mm

Weights

Roller brake tester	1025Kg
Control unit	90Kg

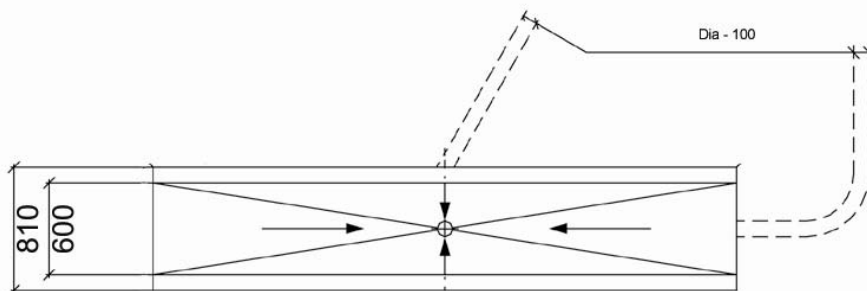
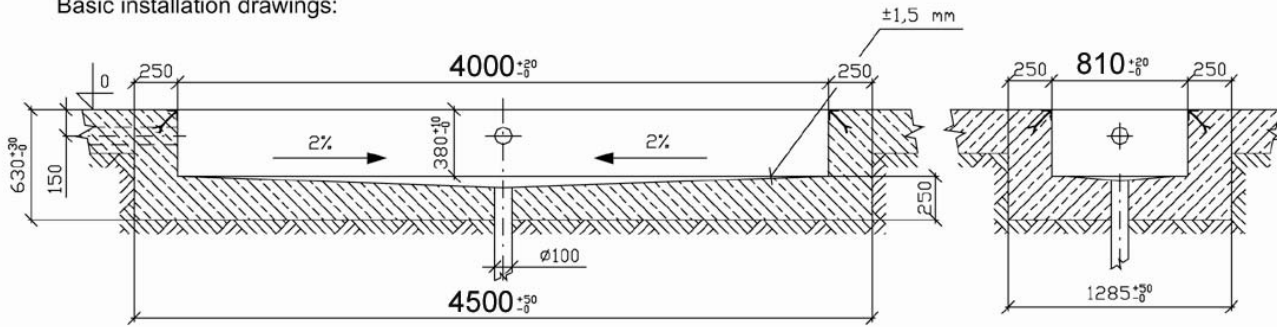
Basic Dimensions

Roller brake tester	1650 x 780 x 380mm x 2 Beds
Control unit	800 x 600 x 260mm

El. supply

415V 3-Phase Neutral. 16KVA

Basic installation drawings:



The Company reserves the right to introduce improvements in design or specification without prior notice

